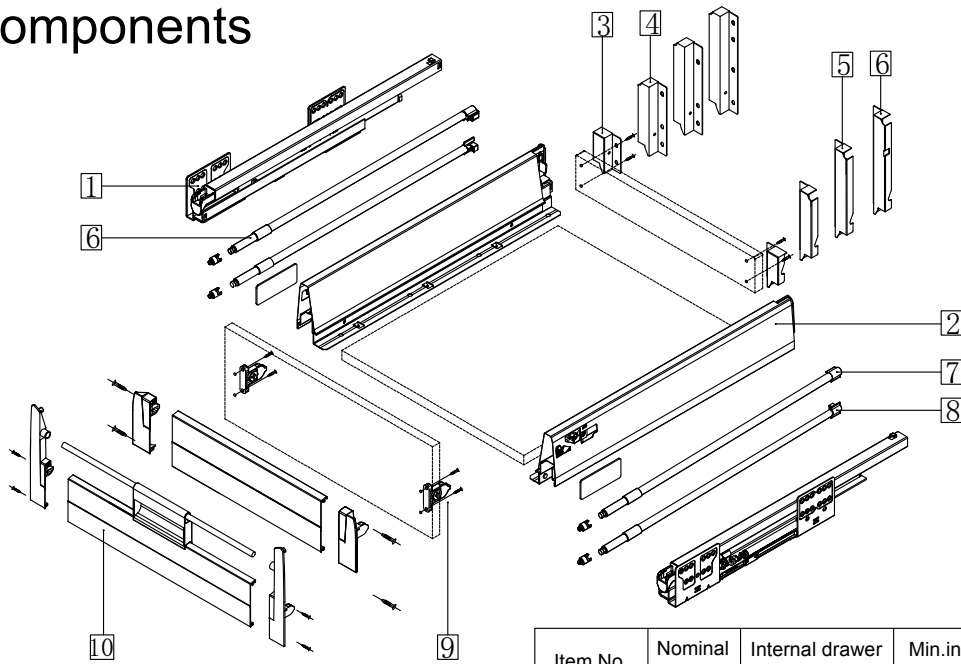


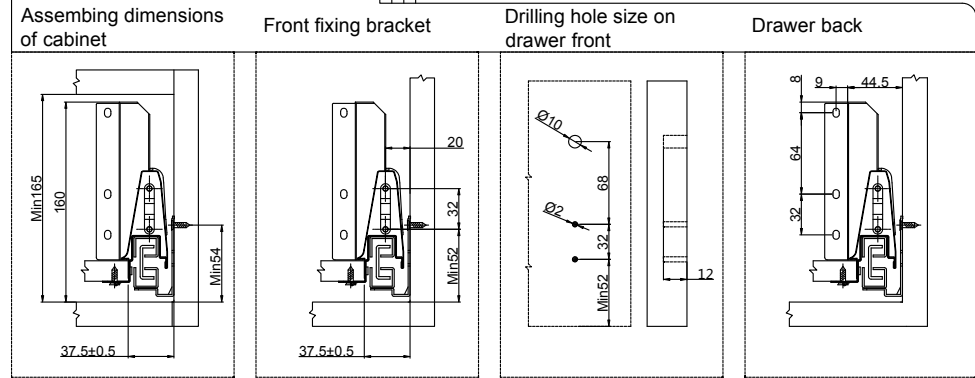
Components



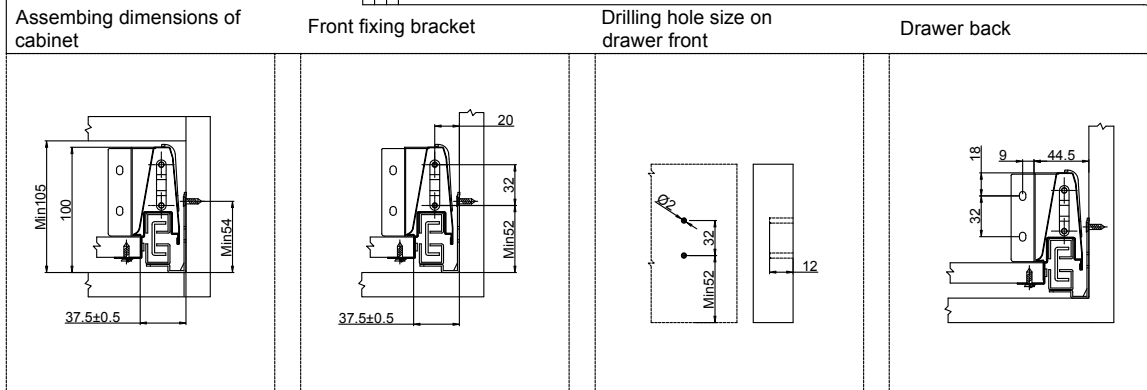
| Item No. | Nominal length | Internal drawer length | Min.installation length of drawer |
|----------|----------------|------------------------|-----------------------------------|
| | 270mm | 244mm | 280mm |
| | 300mm | 274mm | 310mm |
| | 350mm | 324mm | 360mm |
| | 400mm | 374mm | 410mm |
| | 450mm | 424mm | 460mm |
| | 500mm | 474mm | 510mm |
| | 550mm | 524mm | 560mm |

- | | |
|-------------------------------|-------------------------------|
| 1.Cabinet profiles: (L/R) | 6.204 Rear connecting bracket |
| 2.Drawer profiles: (L/R) | 7.Gallery tube |
| 3.86 Rear connecting bracket | 8.Middle tube |
| 4.140 Rear connecting bracket | 9.Front fixing brackets |
| 5.164 Rear connecting bracket | 10.Front panel |

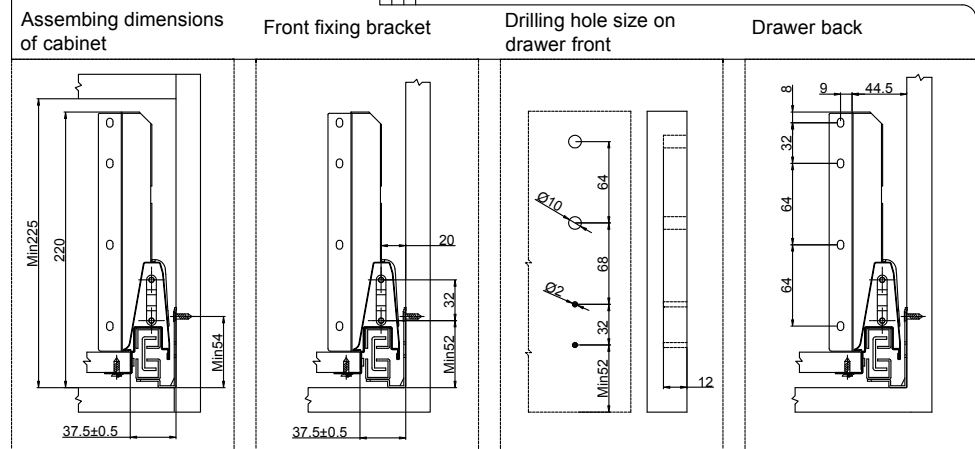
B140 Installation dimensions



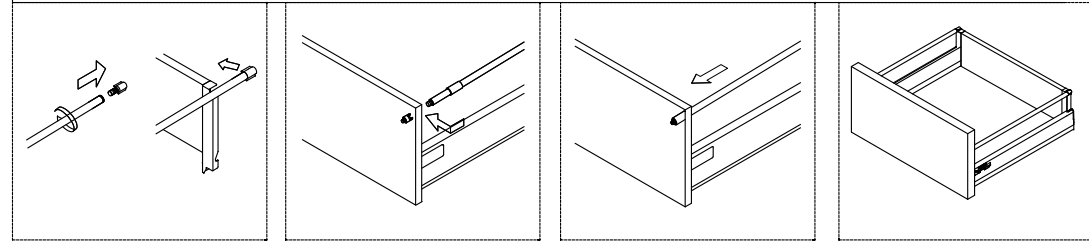
B86 Installation dimensions



B204 Installation dimensions

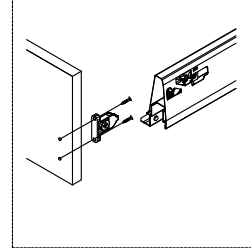


Install assembly

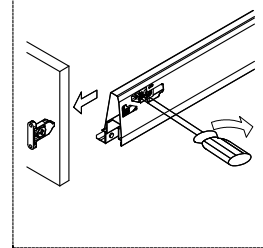
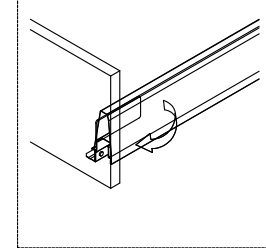
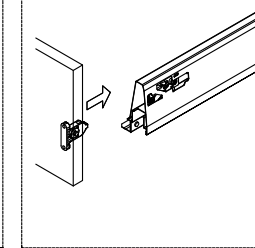


Installation & Disassembling manual

Install wooden drawer front



Disassemble wooden drawer front



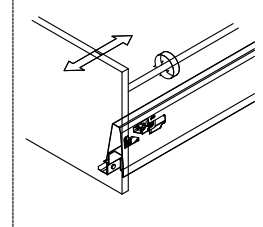
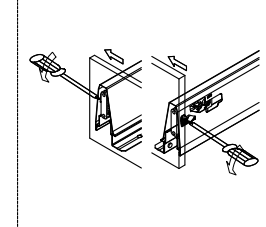
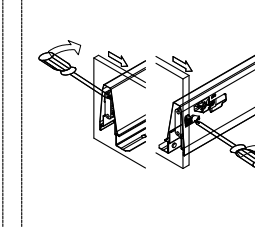
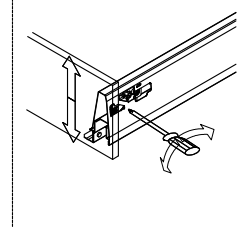
Drawer front adjustment

Wooden drawer front height adjustment: $\pm 2\text{mm}$

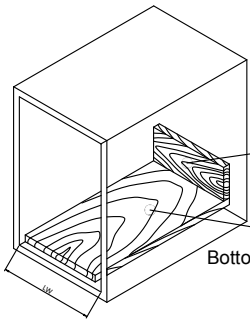
Drawer front right adjustment 1mm

Drawer front left adjustment 1mm

Gradient adjustment



Bottom and back panels measurement



16mm Thickness panel
LW: Internal cabinet width

1 Back panel height (Refer to *)
Back panel length=LW-89 \pm 0.5

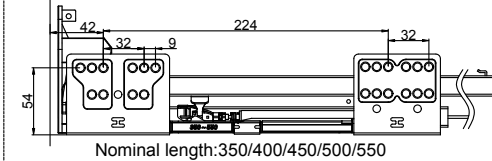
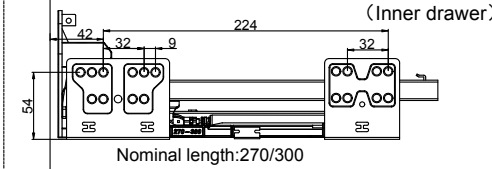
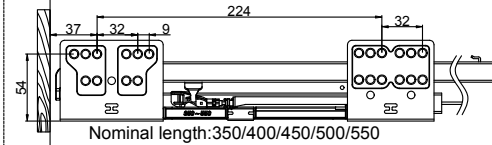
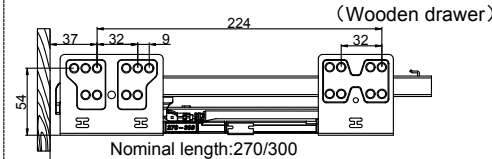
2 Bottom panel width=LW-75 \pm 0.5
Bottom panel length=Nominal length-7mm

3 Long tube=LW-71 \pm 0.5

4 Aluminium front length=LW-87 \pm 0.5

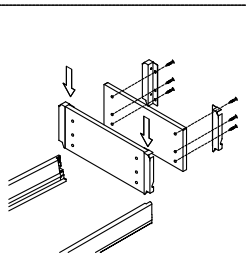
| | | | | | |
|--|------|-------|-------|-------|-------|
| | B-86 | B-120 | B-140 | B-164 | B-204 |
| | 70 | 104 | 124 | 148 | 188 |

Slide installation

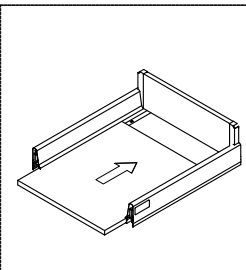


Drawer assembly

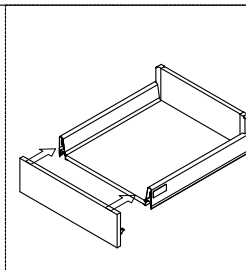
Install back panel



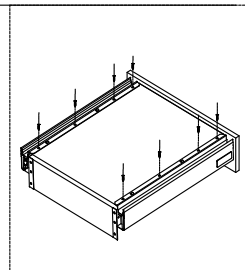
Install bottom panel



Install drawer front

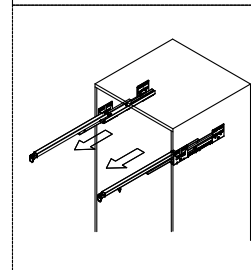


Install screw for bottom panel

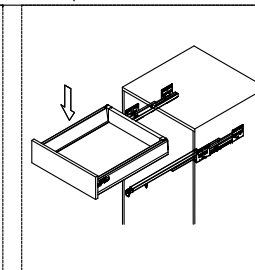


Install & Dismantle of drawer

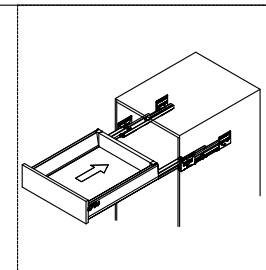
1. Sliding out the slides



2. Method I : put the drawer from the top onto the slide



3. Method II : put the drawer from the front onto the slide



4. Lift the drawer up for dismantle

